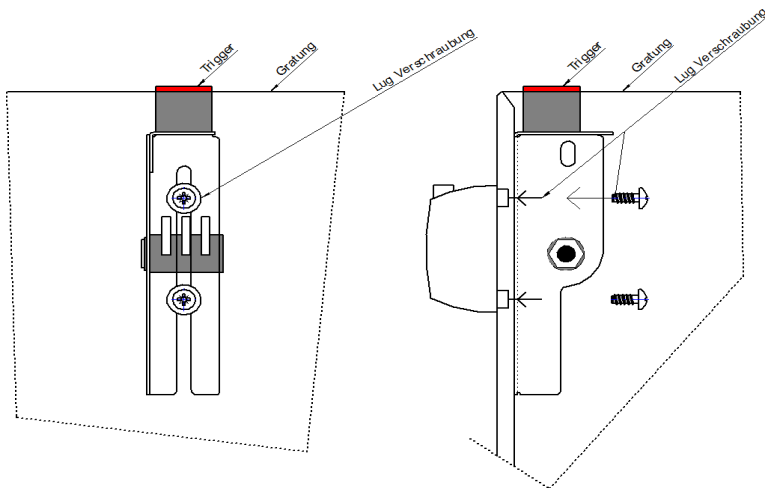


1



Drums

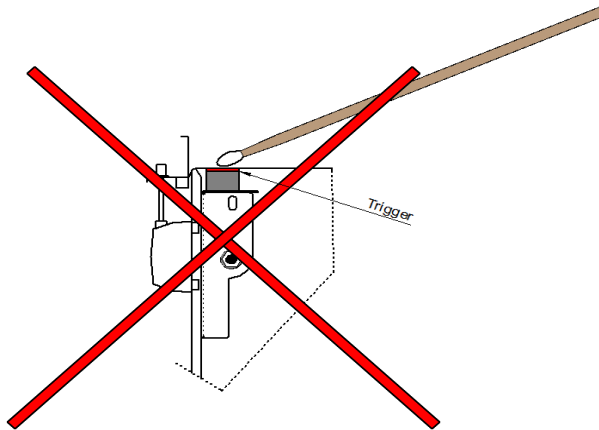
Thank you and congratulations on your choice of the WRONKA EASY TRIGGER SYSTEM

Before you make connections please check following points:

Make shure that you have all of the parts.

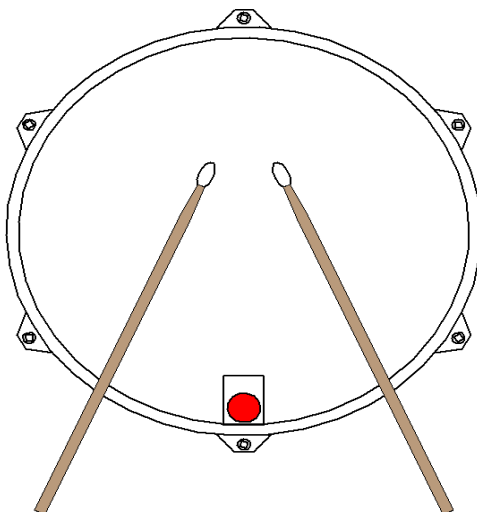
- The installation of the EASYTRIGGER is simply carried with the fastening sckrews of the Lugs!
- The red Sensor shold stand Beyond the braring edge

2



**DON'T HIT THE
SENSOR WITH THE
DRUMSTIK !!**

3



- The EASYTRIGGER mustbe attached on the side of the Drummer
- Your Soundmodule can be attached directly at the Stereo handle socket´s (6,3mm)
- If you use Reso Heads, the socket can be fitted with our EASYTRIGGER connection cable directly at the shell

**Ready
and Enjoy....**